

Charging cables



Over half a century competence and experience

Bals is a quality brand for innovation, reliability and service worldwide. For more than 60 years we have been producing connectors for the world market. From the very first day to the present, we rely on the highest quality "Made in Germany". Our plants in Kirchhundem-Albaum and Freiwalde have highly qualified, motivated teams, state-of-the-art production facilities and high-performance logistics.



Our product range ranges from plugs, phase inverters and couplings, through sockets and distribution combinations to special plug-in devices. Numerous certifications of domestic and foreign test institutes as well as utility models and patents document the high technical standard of our products. A special quality feature and exclusively developed by Bals is the maintenance-free quick-connect technology QUICK-CONNECT.

Two modern factories One consistent quality standard

From the beginning the headquarters of our company is located in Kirchhundem-Albaum (North-Rhine-Westphalia). Product development, marketing and sales, as well as administration are located here. The factory in Freiwalde (Brandenburg), built in 1994 and expanded many times since, has state-of-the-art production facilities for fully-automatic manufacturing of unique plugs and sockets as well as a highly-effective logistics centre.

Plugs and sockets for the world market

As an independent, medium-sized, family-owned company, we produce standardised industrial plugs and sockets acc. to IEC 60309 1-2 as well as charging components and distributors for the global market. We set new technical standards with innovations and ground-breaking, partially patented new developments such as MULTI-GRIP or QUICK-CONNECT. Our products are sold in more than 80 countries.

Our responsibility to the highest quality

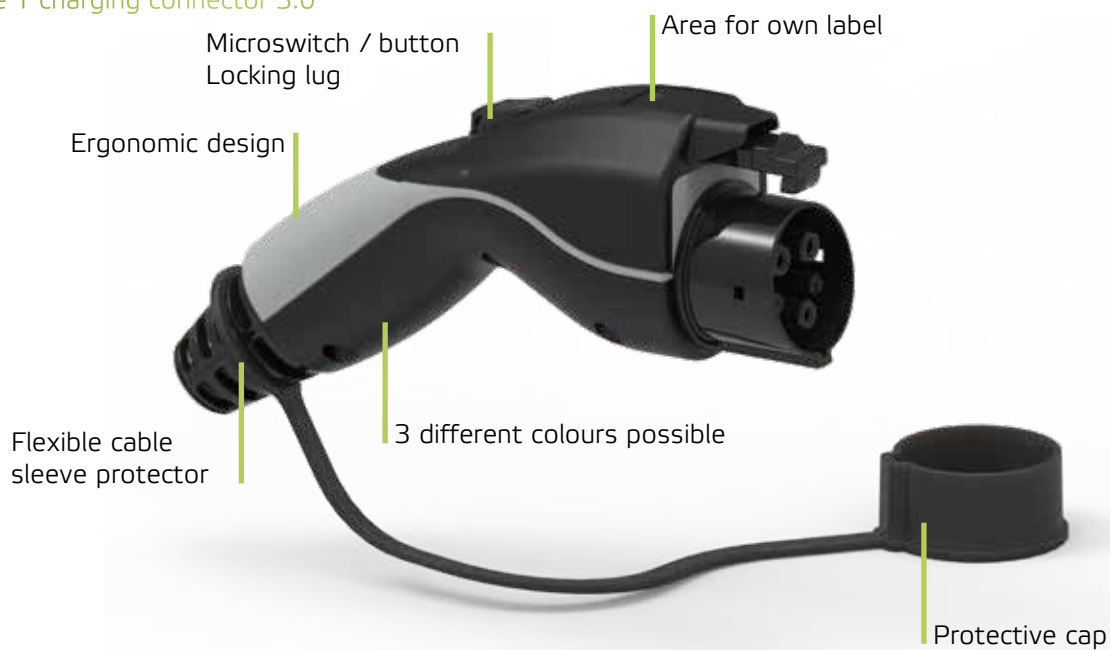
Quality does not permit any compromise. This has always been the maxim at Bals. The ISO-9001-certified production process in all factories ensures the well-known high product quality. This proof of quality is reflected in patents, certificates from German and foreign testing institutes, as well as the specification of Bals products by highly renowned companies. Innovation is an important quality benchmark for us. This way, we are always setting new standards with intelligent solutions that bring the user sustainable advantages.

Consistent further development in design and function

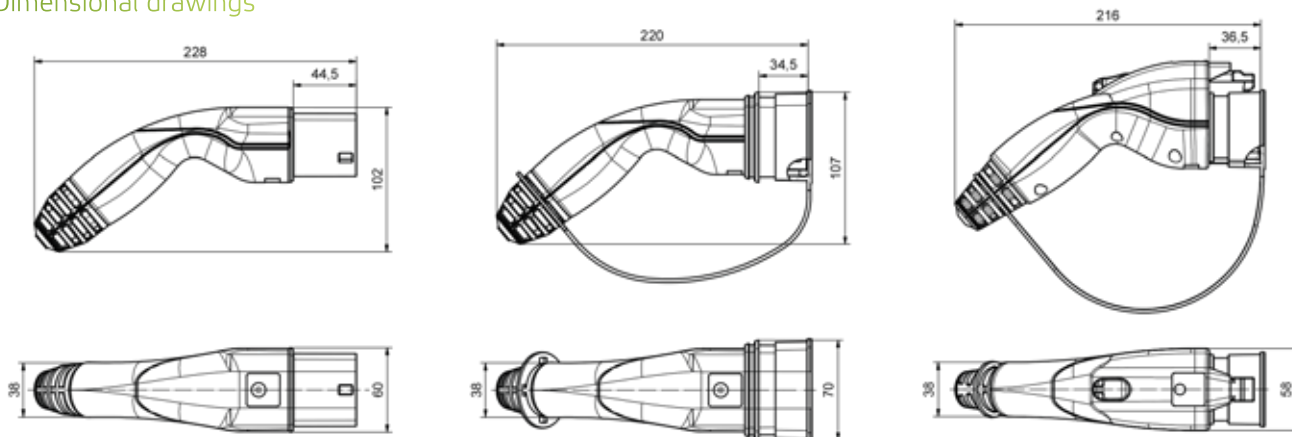
Type 2 charging cable with plug and connector 3.0



Type 1 charging connector 3.0



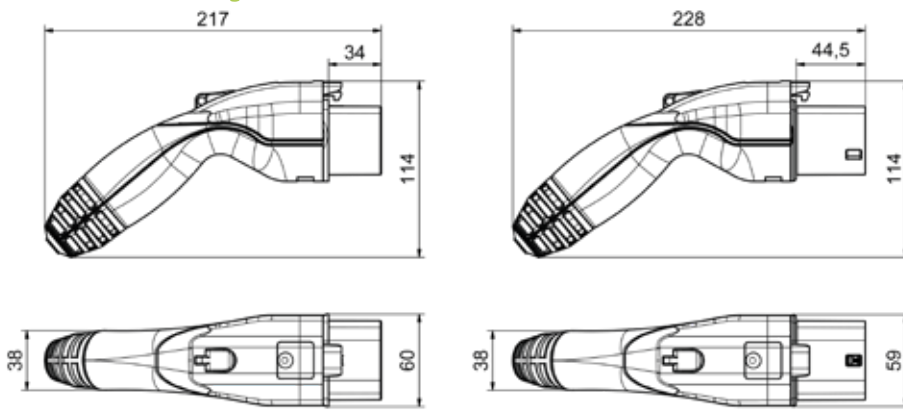
Dimensional drawings



Type GB/T charging cable mit plug EV und EVCS side 3.0



Dimensional drawings



Simple definition of our part numbers for charging cables

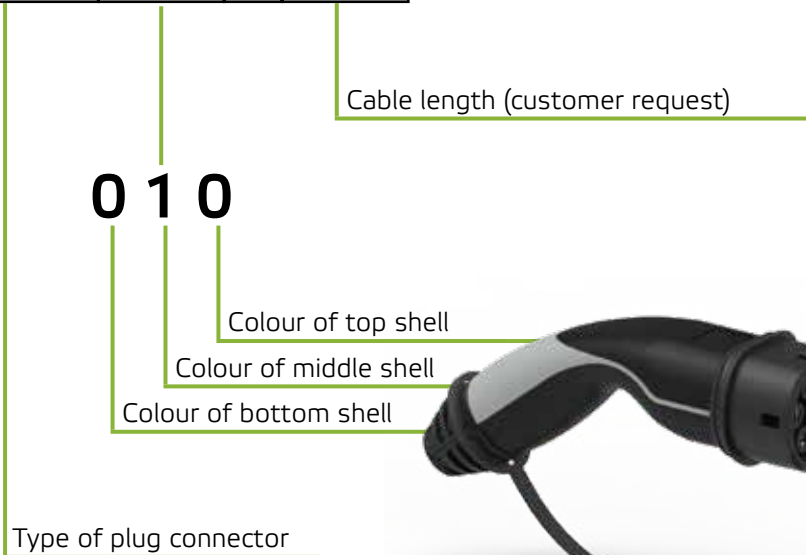
Our part numbers have a meaningful structure. This provides our customers with a logical ordering system/order number which describes the electrical design, colours and length of the charging cable.

This is explained below using an example:

Charging cable (cable length: 5m) with charging plug and charging connector, mode 3, type 2, 1-phase, 20A



E-329010X050



Charging cable with charging plug and charging connector, mode 3, type 2, 1-phase, 20A

Cable type: flat

- Vehicle side (EV): 20A 1-phase type 2 charging connector
- Infrastructure side (EVCS): 20A 1-phase type 2 charging plug
- Resistance: 680 Ω in charging plug and connector
- Cable variant: 3x2.5+1x0.5 mm²
- Cable colour: black
- Cable \varnothing : approx. 11 mm
- Max. capacity: 3,7kW



Color of connectors: black - gray - black

Version	Part No.
Cable length 4,0m	E-329151X040
Cable length 5,0m	E-329151X050



Color of connectors: blue - black - blue

Version	Part No.
Cable length 4,0m	E-329010X040
Cable length 5,0m	E-329010X050



Color of connectors: green - black - green

Version	Part No.
Cable length 4,0m	E-329616X040
Cable length 5,0m	E-329616X050



Color of connectors: white - black - white

Version	Part No.
Cable length 4,0m	E-329414X040
Cable length 5,0m	E-329414X050



Color of connectors: red - black - red

Version	Part No.
Cable length 4,0m	E-329212X040
Cable length 5,0m	E-329212X050

- further cable lengths and color variations on request -

Charging cable with charging plug and charging connector, mode 3, type 2, 1-phase, 20A
Cable type: coiled

- Vehicle side (EV): 20A 1-phase type 2 charging connector
- Infrastructure side (EVCS): 20A 1-phase type 2 charging plug
- Resistance: 680 Ω in charging plug and connector
- Cable variant: 3x2.5+1x0.5 mm²

- Cable colour: black
- Cable ø: approx. 11 mm
- Max. capacity: 3,7kW



Color of connectors: black - gray - black

Version	Part No.
Working length 4,0m	E-329151XG040
Working length 5,0m	E-329151XG050



Color of connectors: blue - black - blue

Version	Part No.
Working length 4,0m	E-329010XG040
Working length 5,0m	E-329010XG050



Color of connectors: green - black - green

Version	Part No.
Working length 4,0m	E-329616XG040
Working length 5,0m	E-329616XG050



Color of connectors: white - black - white

Version	Part No.
Working length 4,0m	E-329414XG040
Working length 5,0m	E-329414XG050



Color of connectors: red - black - red

Version	Part No.
Working length 4,0m	E-329212XG040
Working length 5,0m	E-329212XG050

- further cable lengths and color variations on request -

Charging cable with charging plug and charging connector, mode 3, type 2, 1-phase, 32A
Cable type: flat

- Vehicle side (EV): 32A 1-phase type 2 charging connector
- Infrastructure side (EVCS): 32A 1-phase type 2 charging plug
- Resistance: 220 Ω in charging plug and connector
- Cable variant: 3G6+1x0.5 mm²
- Cable colour: black
- Cable ø: approx. 14 mm
- Max. capacity: 7,4kW



Color of connectors: black - gray - black

Version	Part No.
Cable length 4,0m	E-330151X040
Cable length 5,0m	E-330151X050



Color of connectors: blue - black - blue

Version	Part No.
Cable length 4,0m	E-330010X040
Cable length 5,0m	E-330010X050



Color of connectors: green - black - green

Version	Part No.
Cable length 4,0m	E-330616X040
Cable length 5,0m	E-330616X050



Color of connectors: white - black - white

Version	Part No.
Cable length 4,0m	E-330414X040
Cable length 5,0m	E-330414X050



Color of connectors: red - black - red

Version	Part No.
Cable length 4,0m	E-330212X040
Cable length 5,0m	E-330212X050

- further cable lengths and color variations on request -

Charging cable with charging plug and charging connector, mode 3, type 2, 1-phase, 32A
Cable type: coiled

- Vehicle side (EV): 32A 1-phase type 2 charging connector
- Infrastructure side (EVCS): 32A 1-phase type 2 charging plug
- Resistance: 220 Ω in charging plug and connector
- Cable variant: 3G6+1x0.5 mm²

- Cable colour: black
- Cable ø: approx. 14 mm
- Max. capacity: 7,4kW



Color of connectors: black - gray - black

Version	Part No.
Working length 4,0m	E-330151XG040
Working length 5,0m	E-330151XG050



Color of connectors: blue - black - blue

Version	Part No.
Working length 4,0m	E-330010XG040
Working length 5,0m	E-330010XG050



Color of connectors: green - black - green

Version	Part No.
Working length 4,0m	E-330616XG040
Working length 5,0m	E-330616XG050



Color of connectors: white - black - white

Version	Part No.
Working length 4,0m	E-330414XG040
Working length 5,0m	E-330414XG050



Color of connectors: red - black - red

Version	Part No.
Working length 4,0m	E-330212XG040
Working length 5,0m	E-330212XG050

- further cable lengths and color variations on request -

Charging cable with charging plug and charging connector, mode 3, type 2, 3-phase, 20A
Cable type: flat

- Vehicle side (EV): 20A 3-phase type 2 charging connector
- Infrastructure side (EVCS): 20A 3-phase type 2 charging plug
- Resistance: 680 Ω in charging plug and connector
- Color of connectors: blue

- Cable variant: 5G2.5+1x0.5 mm²
- Cable colour: black
- Cable ø: approx. 13 mm
- Max. capacity: 11kW



Color of connectors: black - gray - black

Version	Part No.
Cable length 4,0m	E-331151X040
Cable length 5,0m	E-331151X050



Color of connectors: blue - black - blue

Version	Part No.
Cable length 4,0m	E-331010X040
Cable length 5,0m	E-331010X050



Color of connectors: green - black - green

Version	Part No.
Cable length 4,0m	E-331616X040
Cable length 5,0m	E-331616X050



Color of connectors: white - black - white

Version	Part No.
Cable length 4,0m	E-331414X040
Cable length 5,0m	E-331414X050



Color of connectors: red - black - red

Version	Part No.
Cable length 4,0m	E-331212X040
Cable length 5,0m	E-331212X050

- further cable lengths and color variations on request -

Charging cable with charging plug and charging connector, mode 3, type 2, 3-phase, 20A
Cable type: coiled

- Vehicle side (EV): 20A 3-phase type 2 charging connector
- Infrastructure side (EVCS): 20A 3-phase type 2 charging plug
- Resistance: 680 Ω in charging plug and connector
- Color of connectors: blue

- Cable variant: 5G2.5+1x0.5 mm²
- Cable colour: black
- Cable ø: approx. 13 mm
- Max. capacity: 11kW



Color of connectors: black - gray - black

Version	Part No.
Working length 4,0m	E-331151XG040
Working length 5,0m	E-331151XG050



Color of connectors: blue - black - blue

Version	Part No.
Working length 4,0m	E-331010XG040
Working length 5,0m	E-331010XG050



Color of connectors: green - black - green

Version	Part No.
Working length 4,0m	E-331616XG040
Working length 5,0m	E-331616XG050



Color of connectors: white - black - white

Version	Part No.
Working length 4,0m	E-331414XG040
Working length 5,0m	E-331414XG050



Color of connectors: red - black - red

Version	Part No.
Working length 4,0m	E-331212XG040
Working length 5,0m	E-331212XG050

- further cable lengths and color variations on request -

Charging cable with charging plug and charging connector, mode 3, type 2, 3-phase, 32A
Cable type: flat

- Vehicle side (EV): 32A 3-phase type 2 charging connector
- Infrastructure side (EVCS): 32A 3-phase type 2 charging plug
- Resistance: 220 Ω in charging plug and connector
- Color of connectors: blue

- Cable variant: 5G6+1x0.5 mm²
- Cable colour: black
- Cable ø: approx. 17 mm
- Max. capacity: 22kW



Color of connectors: black - gray - black

Version	Part No.
Cable length 4,0m	E-332151X040
Cable length 5,0m	E-332151X050



Color of connectors: blue - black - blue

Version	Part No.
Cable length 4,0m	E-332010X040
Cable length 5,0m	E-332010X050



Color of connectors: green - black - green

Version	Part No.
Cable length 4,0m	E-332616X040
Cable length 5,0m	E-332616X050



Color of connectors: white - black - white

Version	Part No.
Cable length 4,0m	E-332414X040
Cable length 5,0m	E-332414X050



Color of connectors: red - black - red

Version	Part No.
Cable length 4,0m	E-332212X040
Cable length 5,0m	E-332212X050

- further cable lengths and color variations on request -

Charging cable with charging plug and charging connector, mode 3, type 2, 3-phase, 32A
Cable type: coiled

- Vehicle side (EV): 32A 3-phase type 2 charging connector
- Infrastructure side (EVCS): 32A 3-phase type 2 charging plug
- Resistance: 220 Ω in charging plug and connector
- Color of connectors: blue

- Cable variant: 5G6+1x0.5 mm²
- Cable colour: black
- Cable ø: approx. 17 mm
- Max. capacity: 22kW



Color of connectors: black - gray - black

Version	Part No.
Working length 4,0m	E-332151XG040
Working length 5,0m	E-332151XG050



Color of connectors: blue - black - blue

Version	Part No.
Working length 4,0m	E-332010XG040
Working length 5,0m	E-332010XG050



Color of connectors: green - black - green

Version	Part No.
Working length 4,0m	E-332616XG040
Working length 5,0m	E-332616XG050



Color of connectors: white - black - white

Version	Part No.
Working length 4,0m	E-332414XG040
Working length 5,0m	E-332414XG050



Color of connectors: red - black - red

Version	Part No.
Working length 4,0m	E-332212XG040
Working length 5,0m	E-332212XG050

- further cable lengths and color variations on request -

**Charging cable with charging plug and charging connector, mode 3, type 2 to type 1, 1-phase, 20A
cable type: flat**

- Vehicle side (EV): 20A 1-phase type 1 charging connector
- Infrastructure side (EVCS): 20A 1-phase type 2 charging plug
- Cable variant: 3x2.5+1x0.5 mm²
- Cable colour: black

- Cable ø: approx. 11 mm
- Resistance: 680 Ω in type 2 charging plug, integrated circuit of the total resistance between CS and PE in type 1 charging connector



Color of connectors: black - gray - black

Version	Part No.
Cable length 4,0m	E-322151X040
Cable length 5,0m	E-322151X050



Color of connectors: blue - black - blue

Version	Part No.
Cable length 4,0m	E-322010X040
Cable length 5,0m	E-322010X050



Color of connectors: green - black - green

Version	Part No.
Cable length 4,0m	E-322616X040
Cable length 5,0m	E-322616X050



Color of connectors: white - black - white

Version	Part No.
Cable length 4,0m	E-322414X040
Cable length 5,0m	E-322414X050



Color of connectors: red - black - red

Version	Part No.
Cable length 4,0m	E-322212X040
Cable length 5,0m	E-322212X050

- further cable lengths and color variations on request -

**Charging cable with charging plug and charging connector, mode 3, type 2 to type 1, 1-phase, 20A
cable type: coiled**

- Vehicle side (EV): 20A 1-phase type 1 charging connector
- Infrastructure side (EVCS): 20A 1-phase type 2 charging plug
- Cable variant: 3x2.5+1x0.5 mm²
- Cable colour: black

- Cable ø: approx. 11 mm
- Resistance: 680 Ω in type 2 charging plug, integrated circuit of the total resistance between CS and PE in type 1 charging connector



Color of connectors: black - gray - black

Version	Part No.
Working length 4,0m	E-322151XG040
Working length 5,0m	E-322151XG050



Color of connectors: blue - black - blue

Version	Part No.
Working length 4,0m	E-322010XG040
Working length 5,0m	E-322010XG050



Color of connectors: green - black - green

Version	Part No.
Working length 4,0m	E-322616XG040
Working length 5,0m	E-322616XG050



Color of connectors: white - black - white

Version	Part No.
Working length 4,0m	E-322414XG040
Working length 5,0m	E-322414XG050



Color of connectors: red - black - red

Version	Part No.
Working length 4,0m	E-322212XG040
Working length 5,0m	E-322212XG050

- further cable lengths and color variations on request -

Charging cable with charging plug and charging connector, mode 3, type 2 to type 1, 1-phase, 32A cable type: flat

- Vehicle side (EV): 32A 1-phase type 1 charging connector
- Infrastructure side (EVCS): 32A 1-phase type 2 charging plug
- Cable variant: 3G6+1x0.5 mm²
- Cable colour: black

- Cable ø: approx. 14 mm
- Resistance: 220 Ω in type 2 charging plug, integrated circuit of the total resistance between CS and PE in type 1 charging connector



Color of connectors: black - gray - black

Version	Part No.
Cable length 4,0m	E-323151X040
Cable length 5,0m	E-323151X050



Color of connectors: blue - black - blue

Version	Part No.
Cable length 4,0m	E-323010X040
Cable length 5,0m	E-323010X050



Color of connectors: green - black - green

Version	Part No.
Cable length 4,0m	E-323616X040
Cable length 5,0m	E-323616X050



Color of connectors: white - black - white

Version	Part No.
Cable length 4,0m	E-323414X040
Cable length 5,0m	E-323414X050



Color of connectors: red - black - red

Version	Part No.
Cable length 4,0m	E-323212X040
Cable length 5,0m	E-323212X050

- further cable lengths and color variations on request -

Charging cable with charging plug and charging connector, mode 3, type 2 to type 1, 1-phase, 32A cable type: coiled

- Vehicle side (EV): 32A 1-phase type 1 charging connector
- Infrastructure side (EVCS): 32A 1-phase type 2 charging plug
- Cable variant: 3G6+1x0.5 mm²
- Cable colour: black

- Cable ø: approx. 14 mm
- Resistance: 220 Ω in type 2 charging plug, integrated circuit of the total resistance between CS and PE in type 1 charging connector



Color of connectors: black - gray - black

Version	Part No.
Working length 4,0m	E-323151XG040
Working length 5,0m	E-323151XG050



Color of connectors: blue - black - blue

Version	Part No.
Working length 4,0m	E-323010XG040
Working length 5,0m	E-323010XG050



Color of connectors: green - black - green

Version	Part No.
Working length 4,0m	E-323616XG040
Working length 5,0m	E-323616XG050



Color of connectors: white - black - white

Version	Part No.
Working length 4,0m	E-323414XG040
Working length 5,0m	E-323414XG050



Color of connectors: red - black - red

Version	Part No.
Working length 4,0m	E-323212XG040
Working length 5,0m	E-323212XG050

- further cable lengths and color variations on request -

**Charging cable with vehicle charging plug and infrastructure charging connector, mode 3, type GB/T
1-phase, 20A, cable type: flat**

- Vehicle side (EV): charging plug 20A 1-phase type GB/T
- Infrastructure side (EVCS): charging plug 20A 1-phase type GB/T
- Cable variant: 3x2,5+1x0,5 mm²
- Cable colour: black

- Cable ø: approx. 11 mm
- Resistance: 680 Ω in charging plug EV side, integrated circuit of the total resistance between CC and PE in charging plug EV side



Color of connectors: black - gray - black

Version	Part No.
Cable length 4,0m	E-249151X040
Cable length 5,0m	E-249151X050



Color of connectors: blue - black - blue

Version	Part No.
Cable length 4,0m	E-249010X040
Cable length 5,0m	E-249010X050



Color of connectors: green - black - green

Version	Part No.
Cable length 4,0m	E-249616X040
Cable length 5,0m	E-249616X050



Color of connectors: white - black - white

Version	Part No.
Cable length 4,0m	E-249414X040
Cable length 5,0m	E-249414X050



Color of connectors: red - black - red

Version	Part No.
Cable length 4,0m	E-249212X040
Cable length 5,0m	E-249212X050

- further cable lengths and color variations on request -

**Charging cable with vehicle charging plug and infrastructure charging connector, mode 3, type GB/T
1-phase, 20A, cable type: coiled**

- Vehicle side (EV): charging plug 20A 1-phase type GB/T
- Infrastructure side (EVCS): charging plug 20A 1-phase type GB/T
- Cable variant: 3x2,5+1x0,5 mm²
- Cable colour: black
- Cable ø: approx. 11 mm
- Resistance: 680 Ω in charging plug EV side, integrated circuit of the total resistance between CC and PE in charging plug EV side



Color of connectors: black - gray - black

Version	Part No.
Working length 4,0m	E-249151XG040
Working length 5,0m	E-249151XG050



Color of connectors: blue - black - blue

Version	Part No.
Working length 4,0m	E-249010XG040
Working length 5,0m	E-249010XG050



Color of connectors: green - black - green

Version	Part No.
Working length 4,0m	E-249616XG040
Working length 5,0m	E-249616XG050



Color of connectors: white - black - white

Version	Part No.
Working length 4,0m	E-249414XG040
Working length 5,0m	E-249414XG050



Color of connectors: red - black - red

Version	Part No.
Working length 4,0m	E-249212XG040
Working length 5,0m	E-249212XG050

- further cable lengths and color variations on request -

Charging cable with vehicle charging plug and infrastructure charging connector, mode 3, type GB/T 1-phase, 32A, cable type: flat

- Vehicle side (EV): charging plug 32A 1-phase type GB/T
- Infrastructure side (EVCS): charging plug 32A 1-phase type GB/T
- Cable variant: 3G6+1x0,5 mm²
- Cable colour: black
- Cable ø: approx. 14 mm
- Resistance: 220 Ω in charging plug EV side, integrated circuit of the total resistance between CC and PE in charging plug EV side



Color of connectors: black - gray - black

Version	Part No.
Cable length 4,0m	E-250151X040
Cable length 5,0m	E-250151X050



Color of connectors: blue - black - blue

Version	Part No.
Cable length 4,0m	E-250010X040
Cable length 5,0m	E-250010X050



Color of connectors: green - black - green

Version	Part No.
Cable length 4,0m	E-250616X040
Cable length 5,0m	E-250616X050



Color of connectors: white - black - white

Version	Part No.
Cable length 4,0m	E-250414X040
Cable length 5,0m	E-250414X050



Color of connectors: red - black - red

Version	Part No.
Cable length 4,0m	E-250212X040
Cable length 5,0m	E-250212X050

- further cable lengths and color variations on request -

**Charging cable with vehicle charging plug and infrastructure charging connector, mode 3, type GB/T
1-phase, 32A, cable type: coiled**

- Vehicle side (EV): charging plug 32A 1-phase type GB/T
- Infrastructure side (EVCS): charging plug 32A 1-phase type GB/T
- Cable variant: 3G6+1x0,5 mm²
- Cable colour: black
- Cable ø: approx. 14 mm
- Resistance: 220 Ω in charging plug EV side, integrated circuit of the total resistance between CC and PE in charging plug EV side



Color of connectors: black - gray - black

Version	Part No.
Working length 4,0m	E-250151XG040
Working length 5,0m	E-250151XG050



Color of connectors: blue - black - blue

Version	Part No.
Working length 4,0m	E-250010XG040
Working length 5,0m	E-250010XG050



Color of connectors: green - black - green

Version	Part No.
Working length 4,0m	E-250616XG040
Working length 5,0m	E-250616XG050



Color of connectors: white - black - white

Version	Part No.
Working length 4,0m	E-250414XG040
Working length 5,0m	E-250414XG050



Color of connectors: red - black - red

Version	Part No.
Working length 4,0m	E-250212XG040
Working length 5,0m	E-250212XG050

- further cable lengths and color variations on request -

**Charging cable with vehicle charging plug and infrastructure charging connector, mode 3, type GB/T
3-phase, 20A, cable type: flat**

- Vehicle side (EV): charging plug 20A 3-phase type GB/T
- Infrastructure side (EVCS): charging plug 20A 3-phase type GB/T
- Cable variant: 5G2,5+1x0,5 mm²
- Cable colour: black
- Cable ø: approx. 13 mm
- Resistance: 680 Ω in charging plug EV side, integrated circuit of the total resistance between CC and PE in charging plug EV side



Color of connectors: black - gray - black

Version	Part No.
Cable length 4,0m	E-251151X040
Cable length 5,0m	E-251151X050



Color of connectors: blue - black - blue

Version	Part No.
Cable length 4,0m	E-251010X040
Cable length 5,0m	E-251010X050



Color of connectors: green - black - green

Version	Part No.
Cable length 4,0m	E-251616X040
Cable length 5,0m	E-251616X050



Color of connectors: white - black - white

Version	Part No.
Cable length 4,0m	E-251414X040
Cable length 5,0m	E-251414X050



Color of connectors: red - black - red

Version	Part No.
Cable length 4,0m	E-251212X040
Cable length 5,0m	E-251212X050

- further cable lengths and color variations on request -

**Charging cable with vehicle charging plug and infrastructure charging connector, mode 3, type GB/T
3-phase, 20A, cable type: coiled**

- Vehicle side (EV): charging plug 20A 3-phase type GB/T
- Infrastructure side (EVCS): charging plug 20A 3-phase type GB/T
- Cable variant: 5G2,5+1x0,5 mm²
- Cable colour: black
- Cable ø: approx. 13 mm
- Resistance: 680 Ω in charging plug EV side, integrated circuit of the total resistance between CC and PE in charging plug EV side



Color of connectors: black - gray - black

Version	Part No.
Working length 4,0m	E-251151XG040
Working length 5,0m	E-251151XG050



Color of connectors: blue - black - blue

Version	Part No.
Working length 4,0m	E-251010XG040
Working length 5,0m	E-251010XG050



Color of connectors: green - black - green

Version	Part No.
Working length 4,0m	E-251616XG040
Working length 5,0m	E-251616XG050



Color of connectors: white - black - white

Version	Part No.
Working length 4,0m	E-251414XG040
Working length 5,0m	E-251414XG050



Color of connectors: red - black - red

Version	Part No.
Working length 4,0m	E-251212XG040
Working length 5,0m	E-251212XG050

- further cable lengths and color variations on request -

Charging cable with vehicle charging plug and infrastructure charging connector, mode 3, type GB/T 3-phase, 32A, cable type: flat

- Vehicle side (EV): charging plug 32A 3-phase type GB/T
- Infrastructure side (EVCS): charging plug 32A 3-phase type GB/T
- Cable variant: 5G6+1x0,5 mm²
- Cable colour: black
- Cable ø: approx. 17 mm
- Resistance: 220 Ω in charging plug EV side, integrated circuit of the total resistance between CC and PE in charging plug EV side



Color of connectors: black - gray - black

Version	Part No.
Cable length 4,0m	E-252151X040
Cable length 5,0m	E-252151X050



Color of connectors: blue - black - blue

Version	Part No.
Cable length 4,0m	E-252010X040
Cable length 5,0m	E-252010X050



Color of connectors: green - black - green

Version	Part No.
Cable length 4,0m	E-252616X040
Cable length 5,0m	E-252616X050



Color of connectors: white - black - white

Version	Part No.
Cable length 4,0m	E-252414X040
Cable length 5,0m	E-252414X050



Color of connectors: red - black - red

Version	Part No.
Cable length 4,0m	E-252212X040
Cable length 5,0m	E-252212X050

- further cable lengths and color variations on request -

**Charging cable with vehicle charging plug and infrastructure charging connector, mode 3, type GB/T
3-phase, 32A, cable type: coiled**

- Vehicle side (EV): charging plug 32A 3-phase type GB/T
- Infrastructure side (EVCS): charging plug 32A 3-phase type GB/T
- Cable variant: 5G6+1x0,5 mm²
- Cable colour: black
- Cable ø: approx. 17 mm
- Resistance: 220 Ω in charging plug EV side, integrated circuit of the total resistance between CC and PE in charging plug EV side



Color of connectors: black - gray - black

Version	Part No.
Working length 4,0m	E-252151XG040
Working length 5,0m	E-252151XG050



Color of connectors: blue - black - blue

Version	Part No.
Working length 4,0m	E-252010XG040
Working length 5,0m	E-252010XG050



Color of connectors: green - black - green

Version	Part No.
Working length 4,0m	E-252616XG040
Working length 5,0m	E-252616XG050



Color of connectors: white - black - white

Version	Part No.
Working length 4,0m	E-252414XG040
Working length 5,0m	E-252414XG050



Color of connectors: red - black - red

Version	Part No.
Working length 4,0m	E-252212XG040
Working length 5,0m	E-252212XG050

- further cable lengths and color variations on request -